

The only thing that has changed is the technology...



**Corpus Christi Stamp Works Inc.** offers a broad selection of exterior wayfinding systems. Our **HZE** post and panel systems include the Series RG130, 2, 3 and 3.25. Using state of the art technology, highly trained and experienced craftsman, CCSW can fabricate your special and custom designs to specification.

CCSW's experienced project management team regularly works and collaborates with the professional designer assisting in the development of a wayfinding system that matches the needs of their respective project. Architects wisely specify CCSW for their signage needs.

### KEY TO SIGNAGE MODEL NUMBERS

Signage Series - Post Shape - Body Type - Panel Type  
- Sign Type - Graphic Process - Height - Width

#### SERIES TYPE

Series BE (exterior post & panel)	BE
Series 2 (2" post)	H2.2
Series 3 (3" post)	H2.3
Series 3.25 (3.25" post)	H2.3.25
Series RG130 (engineered)	RG

#### POST SHAPE

Series BE - 2" Square Post	SQ2
Series BE - 3 1/4" Square Post	SQ3
Series BE - 3 1/4" Round Post	RND
Series 2 - 2" Square Post	SQ2
Series 3 - 3 1/4" Half Round Post	HRP
Series 3 - 3 1/4" Rectangular Post	REC
Series 3 - 3 1/4" Square Post	SQ3
Series 3 - 3 1/4" Round Post	RND

#### BODY TYPE

Bleed Body	BL
1/4 Round Body (avail. only in H2.3 series)	RB

#### SIGN TYPE

Orientation Map	OM
Wayfinding	WF
Directory	DR

#### PANEL TYPE

Aluminum	AL
Dibond	DI
Polycarbonate	PC

#### GRAPHIC PROCESS

Surface-Applied Vinyl	GP4
Dimensional Letters	GP5
Digital Imaging	GP6
Frisket Method	GP9
High Pressure Laminate	GP10

### MOUNTING METHODS

Standard Concrete Footing 3000 PSI. Optional base plate mounting or portable fabricated legs welded to a structural post.

### SIGN PANEL AND POST COLORS

Any standard Matthews Acrylic Polyurethane (MAP) colors are available. Custom colors can also be matched. Satin finish is standard.

### GRAPHIC PROCESSES

#### GP-4 VINYL

This process utilizes vinyl legends and text computer generated from 3 mil pressure sensitive material prepared for easy application to any smooth, non-porous surface.

#### GP-5 DIMENSIONAL LETTERS

This process produces a precision cut letter or graphics in aluminum or acrylic raised in various thickness and applied to sign panel.

#### GP-6 DIGITAL IMAGING

In this process, a digital based image is printed directly to paper or vinyl to be incorporated onto the sign.

#### GP-9 FRISKET METHOD

Screen Printed with standard (MAP) colors.

#### GP-10 HPL

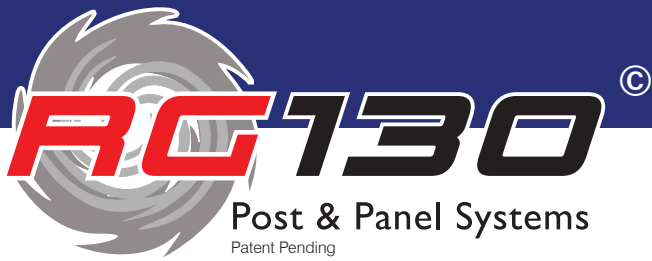
High Pressure Laminate



Series 3 Post and Panel with High Pressure Laminate

### HOW TO ORDER:

1. SPECIFY SERIES AND PART NUMBER
2. SPECIFY STRUCTURAL POST SIZE, LENGTH
3. SPECIFY SIGN PANEL SIZE (HEIGHT X WIDTH)
4. SELECT POST AND PANEL COLOR(S)
5. SPECIFY GRAPHIC PROCESS
6. SPECIFY MOUNTING
7. SPECIFY TEXT AND GRAPHICS
8. CHOOSE FONT STYLE
9. CHOOSE FONT SIZE
10. TEXT SPACING (NORMAL, TIGHT, LOOSE)
11. CAPITALIZATION REQUIREMENTS
12. FORMAT TEXT PLACEMENT
13. MARGINS AND SPACING
14. TEXT COLOR



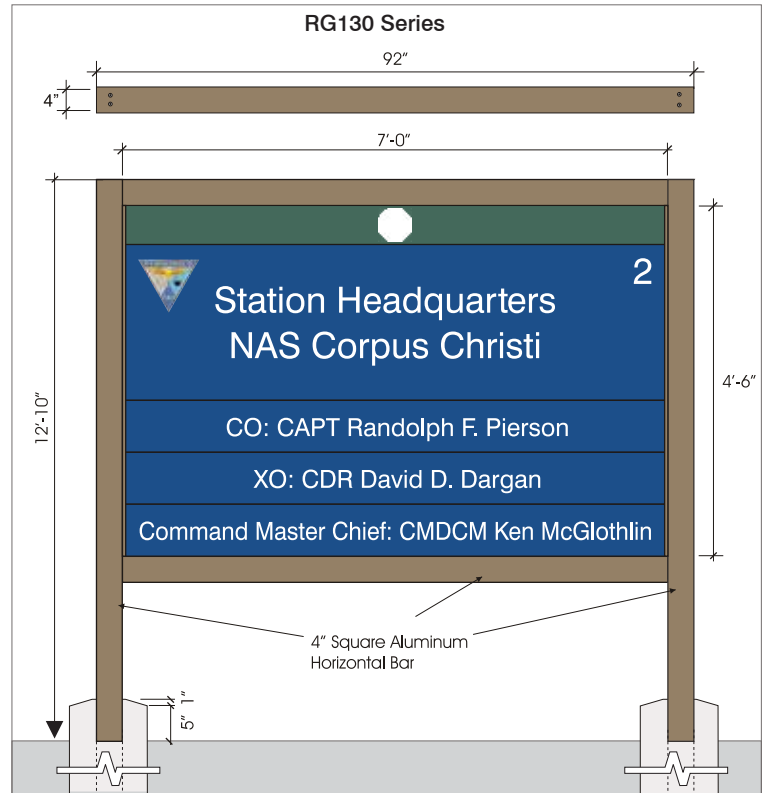
The RG130 is designed for exterior environments and applications where a more permanent sign is required.

**FEATURES OF THE RG130**

- Engineered Certified to Withstand 130 mph Wind-load
- Removable Top Bar
- Removable 1/4" Solid Aluminum Panels
- 1/4" Thick Wall Aluminum Post
- Extended Footing Above Ground
- Steel Reinforced Inner Channels

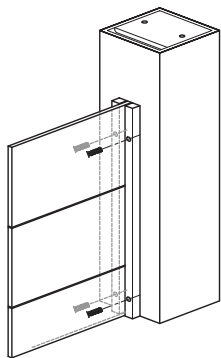
RG130 SERIES STANDARD OVERALL PANEL SIZES		
48"	84"	60"
18"	22"	50"
1848	2284	
34"	28"	
3448	2884	
	46"	
	4684	

\*Other sizes available upon engineered design

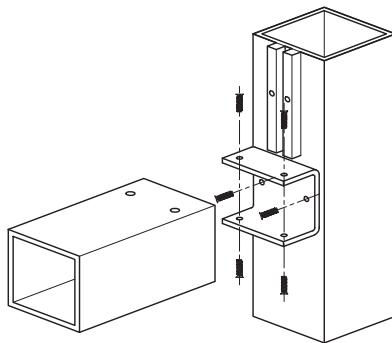


**CONSTRUCTION DETAILS**

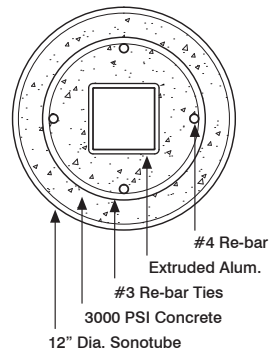
Blade Panel Assembly



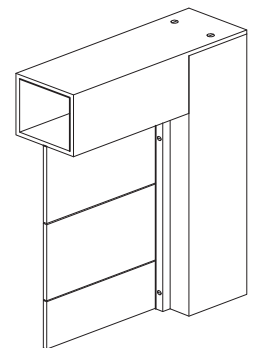
Bottom Rail & Post Connection



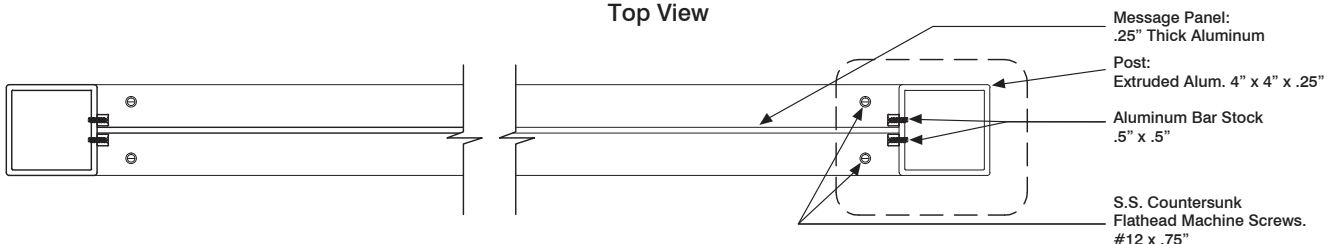
Footings



Top Bar Mount



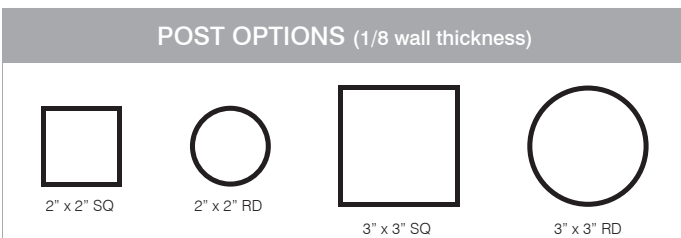
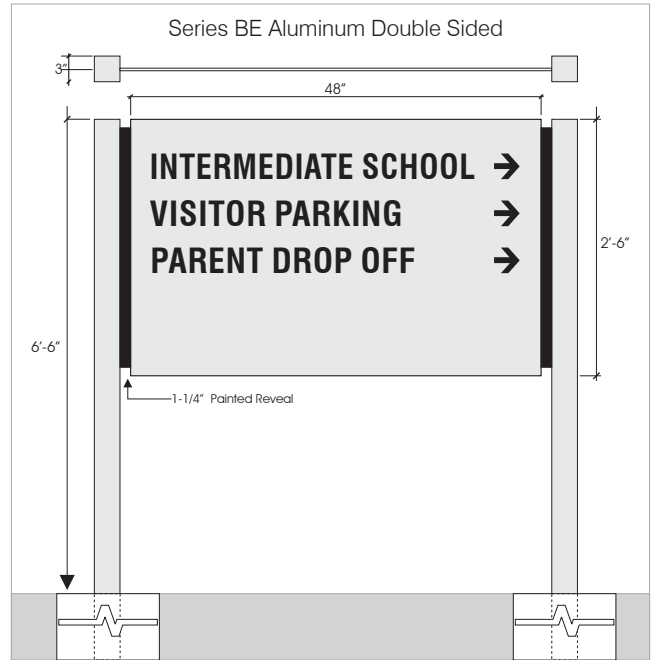
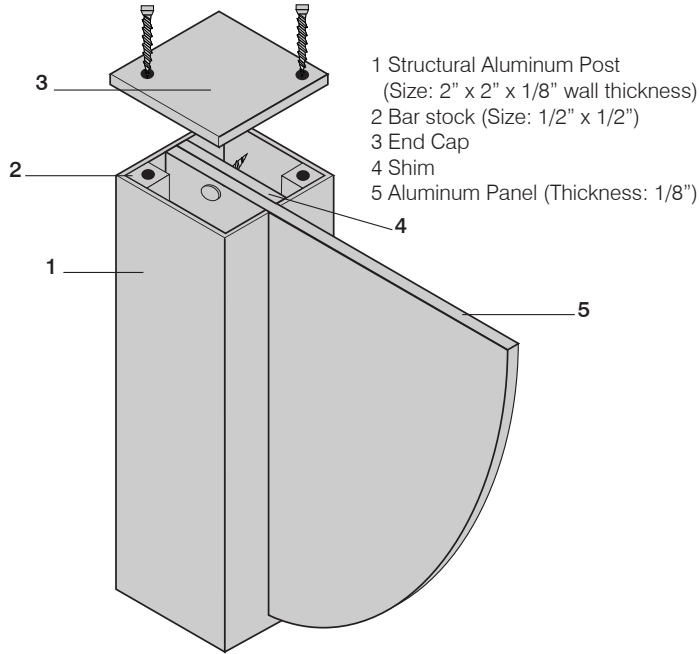
Top View





# SERIES BE

The H2 Series BE is a non-illuminated sign system. It is economical, affordable and aesthetically pleasing. Suited for most exterior and interior environments. Sign panels are fabricated with a single blade 1/8" aluminum alloy 5052 and structural alloy 6063-T52 post. Available with single or double-sided graphics.

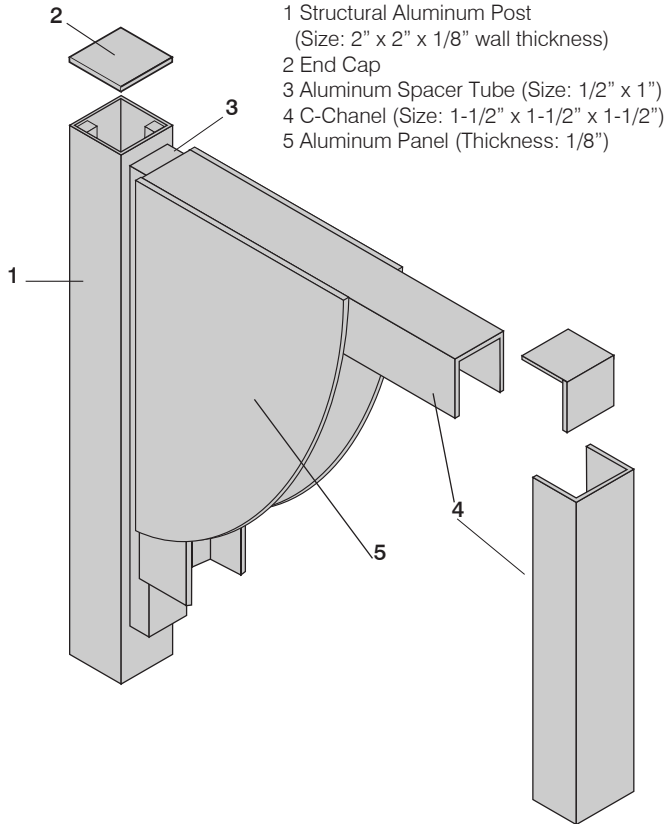


BE SERIES STANDARD PANEL SIZES

	12"	18"	24"	36"	42"	48"	60"
12"	1212	1218	1224	1236	1242	1248	1260
15"		1518	1524	1536	1542	1548	1560
18"		1818	1824	1836	1842	1848	1860
24"		2418	2424	2436	2442	2448	2460
36"			3624	3636	3642	3648	3660

# SERIES 2

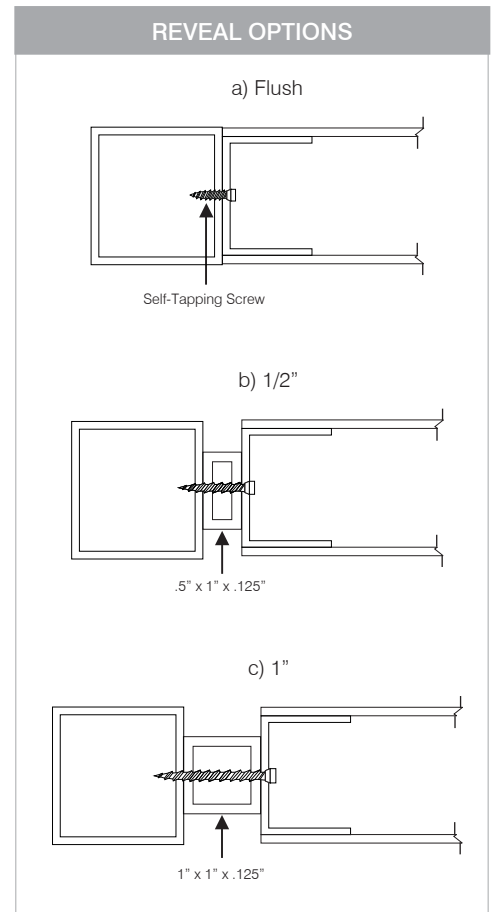
The H2 Series 2 is a non-illuminated sign system. Economically affordable and aesthetically pleasing, ideally suited for any exterior and interior environment. Fabricated from aluminum sign panels (alloy 5052, 1/8" thick) in a dimensional framed cabinet format exhibiting a seamless body and composite welded to an internal structural frame. Structural post alloy 6063-T52. Available with single or double-sided graphics.



- 1 Structural Aluminum Post  
(Size: 2" x 2" x 1/8" wall thickness)
- 2 End Cap
- 3 Aluminum Spacer Tube (Size: 1/2" x 1")
- 4 C-Chanel (Size: 1-1/2" x 1-1/2" x 1-1/2")
- 5 Aluminum Panel (Thickness: 1/8")



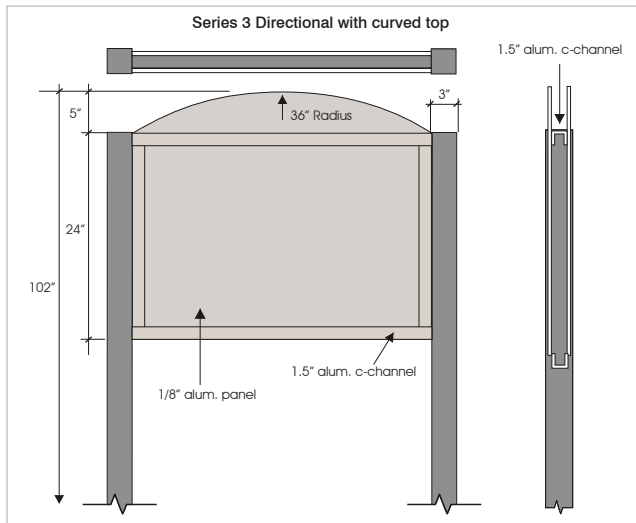
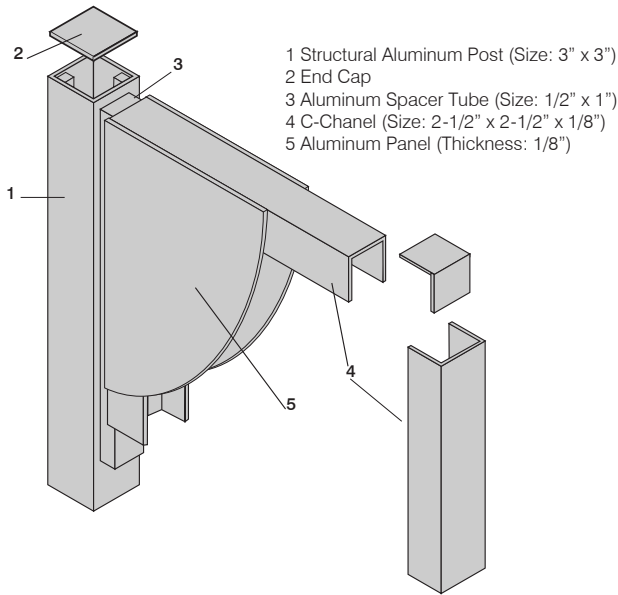
SERIES 2, 3, 3.25 STANDARD PANEL SIZES									
	12"	18"	24"	36"	48"	60"	72"	84"	96"
12"	1212	1218	1224	1236	1248	1260			
15"		1518	1524	1536	1548	1560			
18"		1818	1824	1836	1848	1860			
24"		2418	2424	2436	2448	2460	2472	2484	2496
36"			3624	3636	3648	3660	3672	3684	3696
42"				4236	4248	4260	4272	4284	4296
48"				4836	4848	4860	4872	4884	4896



# SERIES 3

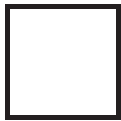
The H2 Series 3, our most popular wayfinding system and design utilizes the same profile as series 2 with the option of square (3" x 3") or rectangular (1-3/4" x 3") structural post. Ideally suited for educational facilities, healthcare, government and hospitality facilities.

Standard panel sizes are shown on page 4.



## POST OPTIONS

1/8 wall thickness



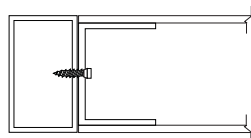
3" x 3" SQ



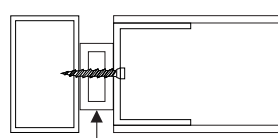
3" x 1-3/4" REC

## REVEAL OPTIONS

a) Flush

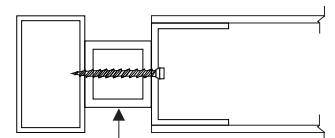


b) 1/2"



.5" x .1" x .125"

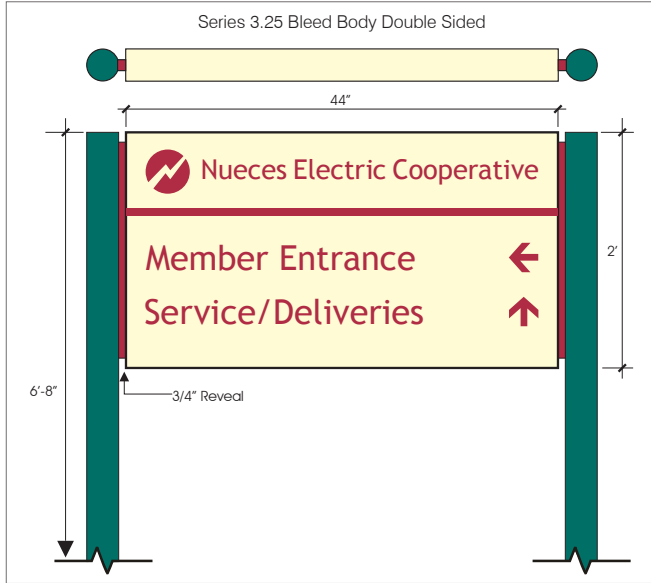
c) 1"



1" x 1" x .125"

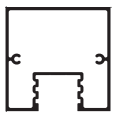
# SERIES 3.25

Series 3.25 is our most versatile sign system. The designer can choose from several aluminum post options and three internal reveal positions; flush, 3/8" 3/4". Sign panels are fabricated from aluminum alloy 5052, 1/8" exhibiting a seamless body and alloy 6063-T52 structural post. Available with single or double-sided graphics.

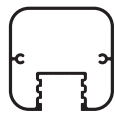


SERIES 2, 3, 3.25 STANDARD PANEL SIZES										
12"	15"	18"	24"	36"	42"	48"	60"	72"	84"	96"
112	128	144	180	216	252	336	420	504	588	672
1212	1218	1224	1236	1248	1260					
1518	1524	1536	1548	1560						
1818	1824	1836	1848	1860						
2418	2424	2436	2448	2460	2472	2484	2496			
	3624	3636	3648	3660	3672	3684	3696			
		4236	4248	4260	4272	4284	4296			
			4836	4848	4860	4872	4884	4896		

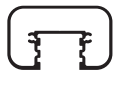
## POST OPTIONS



3.25" x 3.25"  
Square



3.25" x 3.25"  
Square w/Radius Corners

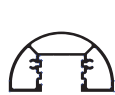


2" x 3.25"  
Rec. w/Radius Corners

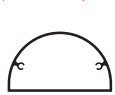
\* uses a quarter round body extrusion



3.25" x 3.25"  
Round



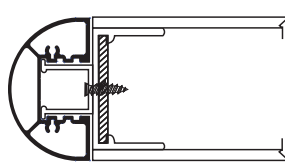
1.88" x 3.25"  
Half Round



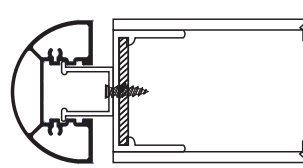
1.88" x 3.25"  
Half Round End

## REVEAL OPTIONS

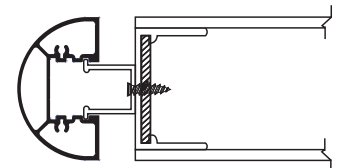
a) Flush



b) 3/8"



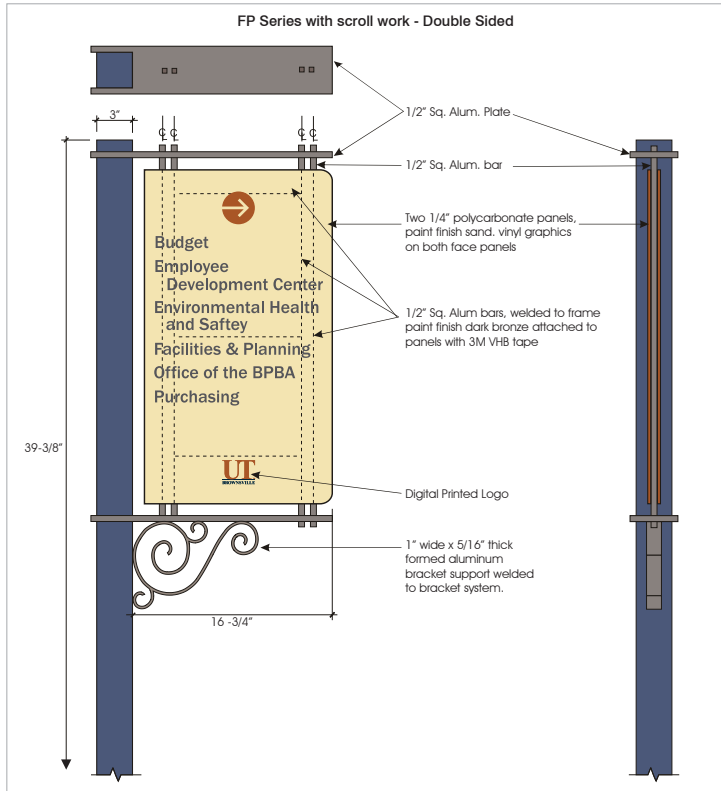
c) 3/4"





# CUSTOM FABRICATION

CCSW is known for its ability to transform an idea into reality. Below is an example of a custom post and panel system designed for the University of Texas at Brownsville, Texas. This system features machined decorative brackets and mounting bars for a unique and elegant look. Panels are mounted on the outside of the bars. Available as a single post or standard double post, with or without decorative scroll work.



## EXTERIOR TRAFFIC SIGNS

CCSW offers a full selection of high quality and durable traffic signs. These highly visible signs are what you need to alert motorists, protect pedestrians and control traffic. Select our High Intensity Reflective signs, the most visible sign we offer, for high risk areas.

Standard sizes are indicated underneath graphics

Material:  
3M Diamond Grade Graphics  
.080 Aluminum



12" x 36"



24" x 24"  
30" x 30"



24" x 24"  
30" x 30"



24" x 24"  
30" x 30"



18" x 12"



6" x 12"



[www.ccswwsignsystems.com](http://www.ccswwsignsystems.com)

1-800-322-4545 or [sales@ccstampworks.com](mailto:sales@ccstampworks.com)

P.O. Box 2189 Corpus Christi, TX 78403 - 502 S. Staples Street

**MADE**  
IN TEXAS ★ U.S.A.